

Universal 20W Power Supply



PART

UL Part Number	Ordering Part Number
PL-20-12-PCM-U	P-OH020-12-PL

PERFORMANCE

Input Voltage	100~277 VAC
Input Current	0.49A~0.23A
Input Frequency	47~63Hz
Power Factor	Normal
Output Voltage	DC12V ±3%
Output Current	0-1.67A
Output Power	20W Max.

PHYSICAL

Length	4.72" (120mm)
Width	1.18" (30mm)
Height	1.02" (26mm)
Mounting Length	4.33" (110mm)
Weight	0.37lbs (170g)
Lead Lengths	220mm ± 10mm

ORDERING GUIDE

P	O	H	020	12	PL
Power Supplies	Outdoor, Direct-wire	100-277 VAC	Max. 20W	12VDC Output	Principal LED Power Supply

FEATURES

- Universal input voltage 100~277 VAC
- Meets UL/CE/EMC/FCC/ROHS Certificate
- Plastic fire-retardant case, silicone potted
- 100% full load burn-in tested
- Dry or damp locations rated

SAFETY

Over Current Protection	110~120%
Short Circuit Protection	Hiccup mode, auto recover
Other Protection	Over voltage
UL	UL879 / UL8750
CE-LVD	EN61347-1:2008+A1:2011+A2:2013 EN61347-2-13:2014

ENVIRONMENTAL

CE-EMC	EN55015, EN61547, EN61000
FCC	FCC 47 CFR PART 15, CLASS B
IP Rating	IP67
Operating Temperature	-30°C to 60°C (-22°F to 140°F)
Storage Temperature	-40°C to 85°C (-40°F to 185°F)
Relative Humidity	20 to ±90% RH non cond.



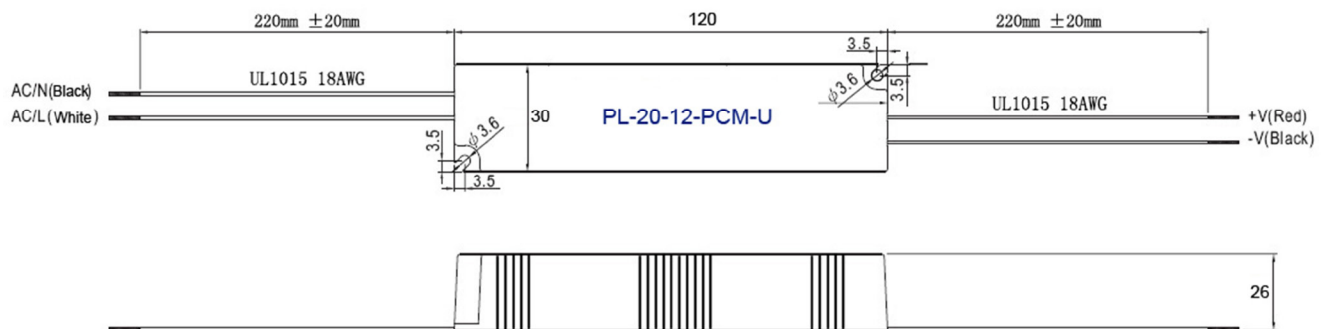
www.p-led.com • 325-227-4577 • sales@p-led.com



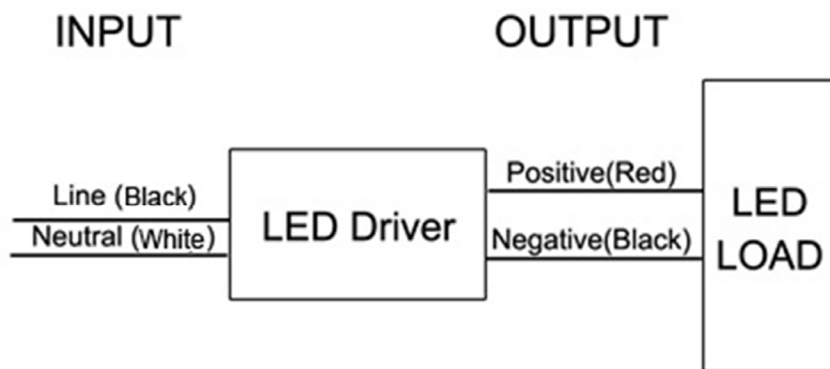
***5 year product / 5 year labor warranty applicable for this unit if used with a Qwik Box.

Data subject to changes. **REV20220621**

MECHANICAL OUTLINE:



WIRING DIAGRAM:



@ www.p-led.com

(325) 227-4577

3490 Venture Drive, San Angelo, Texas 76905

info@p-led.com